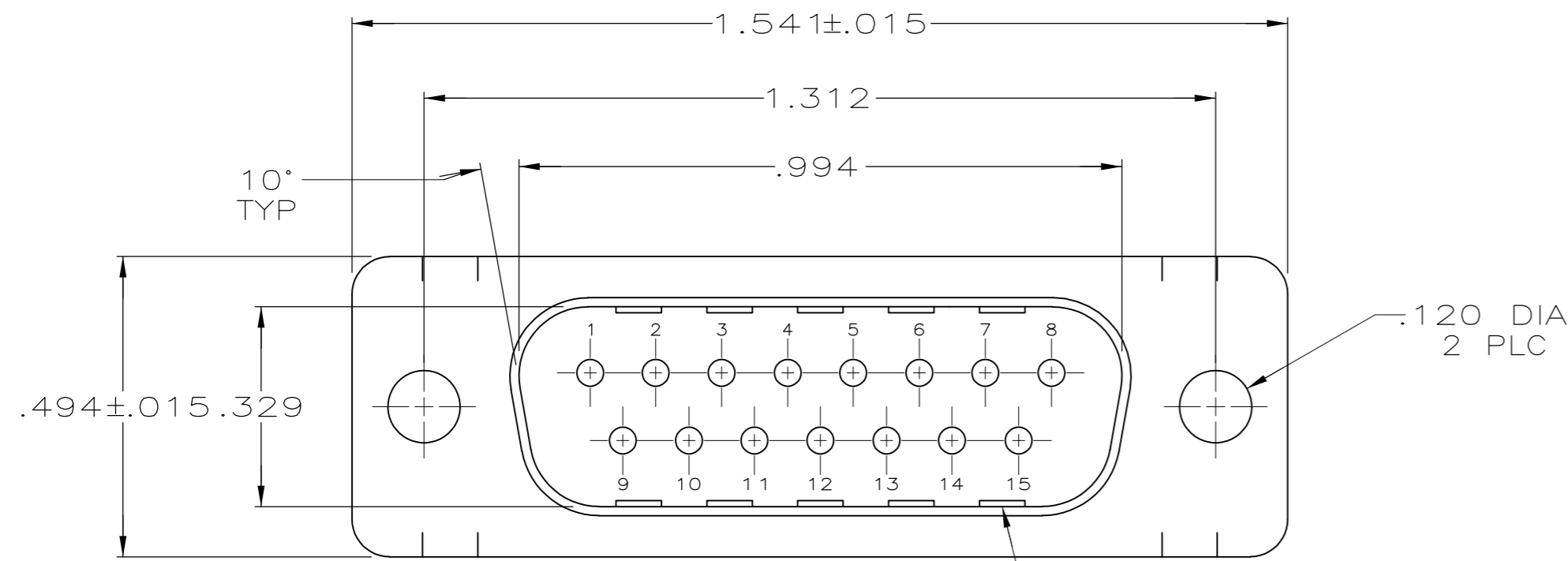
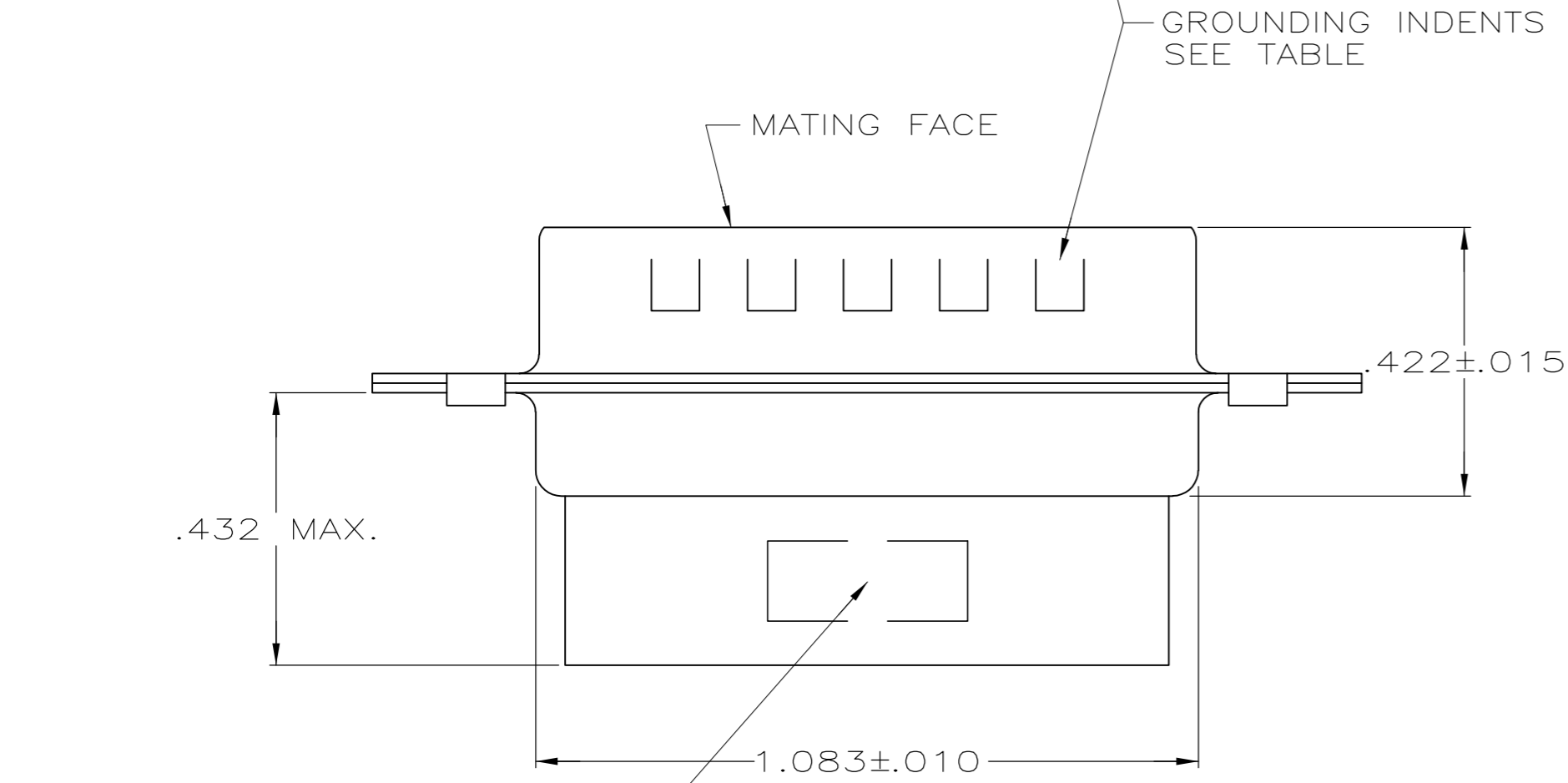


THIS DRAWING IS UNPUBLISHED. RELEASED FOR PUBLICATION
 © COPYRIGHT BY TYCO ELECTRONICS CORPORATION. ALL RIGHTS RESERVED.

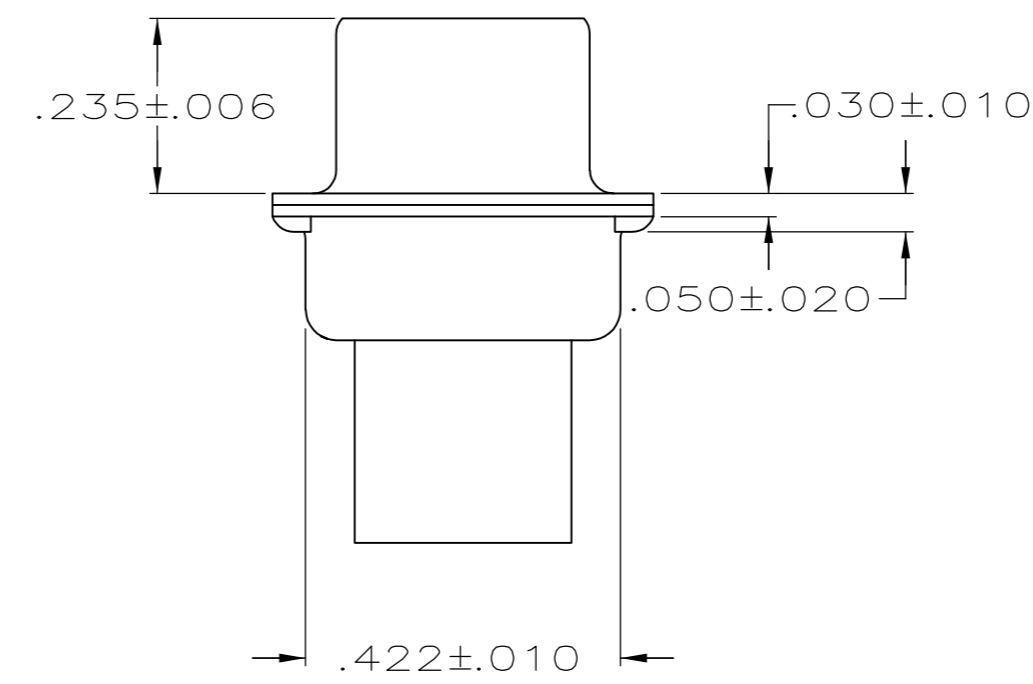
LOC	DIST	REVISIONS			
P	LTR	DESCRIPTION	DATE	DWN	APVD
GP	00				
	K2	REVISED PER ECO-07-008164	27JUL07	JDP	CWR



- CONNECTOR ACCEPTS SIZE 20 DF PIN CONTACTS, RETENTION TINES ARE AN INTEGRAL PART OF INSERT.
- CONNECTOR COMPLIES WITH 108-40005 WHERE APPLICABLE.
- NYLON, FLAME RETARDANT, 94V-0 RATED, GLASS FILLED, BLACK.
- STEEL PER ASTM A109.
- ZINC PLATED PER ASTM B633; TYPE II; CLASS SC1; YELLOW CHROMATE.
- TIN OR TIN-LEAD PLATED OVER COPPER UNDERPLATE.
- TIN PLATED OVER COPPER UNDERPLATE.
- ZINC PLATED .000200-.000400 THICK, YELLOW TRIVALENT CHROMIUM CHROMATE COATING.



"AMP", PART NO. & DATE CODE, MARKED IN AREA INDICATED, ON FAR SIDE



PACKAGING TYPE	SHELL FINISH	GROUNDING INDENTS	PART NUMBER
STANDARD	8	NO	205206-9
STANDARD	7	NO	205206-8
OBSOLETE SMALL PACK	5	NO	205206-6
STANDARD	7	YES	205206-3
OBSOLETE STANDARD	6	NO	205206-2
OBSOLETE STANDARD	5	NO	205206-1

THIS DRAWING IS A CONTROLLED DOCUMENT.		DWN 7-19-85 S.WELDON	Tyco Electronics Corporation Harrisburg, PA 17105-3608	
DIMENSIONS: INCHES		CHK 7-29-85 J.GERACE	NAME	
TOLERANCES UNLESS OTHERWISE SPECIFIED:		APVD 7-31-85 V.KUMAR	PLUG CONNECTOR, SIZE 2, 15 POSITION, AMPLIMITE HDP	
0 PLC ± -		PRODUCT SPEC	SIZE	CAGE CODE
1 PLC ± -		APPLICATION SPEC	A2	00779
2 PLC ± -		WEIGHT	C=205206	
3 PLC ± .005		CUSTOMER DRAWING	SCALE	SHEET
4 PLC ± -			NTS	1 of 1
ANGLES ± 2°			REV	K2
FINISH				
MOLDED PARTS: 3				
SHELLS: 4				
SHELLS: SEE TABLE				